



# NIR20×

Near-infrared objective lens

# NIR50×



## Outstanding machining performance and durability

### Features

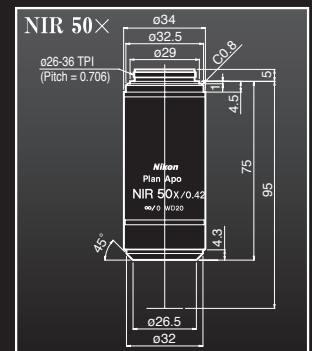
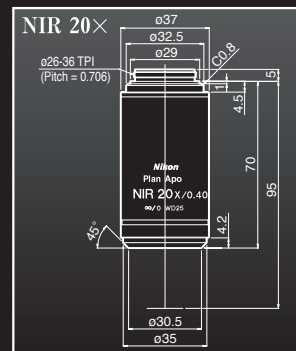
- Achieves high transmission of 90% or more at visible range and 1,064 nm. Significantly improved machining accuracy at a small size with low power.
- Deterioration of the lens due to laser absorption is minimized, achieving an objective lens with outstanding durability.
- Optimized wavelength at visible range and 1,064 nm ensures a clear observation image.
- The long working distance reduces flying material sticking to the lens during laser processing. In addition, the degree of freedom in layout when combining equipment is improved.

### Specifications

Product name	LR Plan Apo NIR 20x	LR Plan Apo NIR 50x
NA (numerical aperture)	0.40	0.42
Working distance (mm)	25	20
Focal length (mm)	10	4
Resolving power (μm)*	0.68	0.65
Focal depth (μm)*	± 1.71	± 1.55
Actual field of view (mmφ, field number 24)	1.2	0.48
Weight (g)	340	330
Parfocal Distance (mm)	95	

\* Resolving power and focal depth are calculated with a reference wavelength of 546 nm.

### Dimensions



#### NIKON CORPORATION

Shinagawa Intercity Tower C, 2-15-3, Konan, Minato-ku, Tokyo 108-6290, Japan  
 phone: +81-3-6433-3701 fax: +81-3-6433-3784  
<https://www.nikon.com/products/industrial-metrology/>

ISO 14001 Certified  
for NIKON CORPORATION

ISO 9001 Certified  
for NIKON CORPORATION  
Industrial Metrology Business Unit

#### NIKON METROLOGY EUROPE NV

Geldenaaksebaan 329, 3001 Leuven, Belgium  
 phone: +32-16-74-01-00 fax: +32-16-74-01-03  
 E-mail: [Sales.Europe.NM@nikon.com](mailto:Sales.Europe.NM@nikon.com)  
<http://www.nikonmetrology.com/en-gb>

#### NIKON METROLOGY UK LTD.

UNITED KINGDOM phone: +44-1332-811-349 fax: +44-1332-639-881  
 E-mail: [Sales.UK.NM@nikon.com](mailto:Sales.UK.NM@nikon.com)

#### NIKON METROLOGY SARL

FRANCE phone: +33-1-60-86-09-76 fax: +33-1-60-86-57-35  
 E-mail: [Sales.France.NM@nikon.com](mailto:Sales.France.NM@nikon.com)

#### NIKON METROLOGY GMBH

GERMANY phone: +49-6023-91733-0 fax: +49-6023-91733-229  
 E-mail: [Sales.Germany.NM@nikon.com](mailto:Sales.Germany.NM@nikon.com)

#### NIKON INSTRUMENTS S.p.A.

ITALY phone: +39-055-300-96-01 fax: +39-055-30-09-93

#### NIKON METROLOGY, INC.

12701 Grand River Road, Brighton, MI 48116 U.S.A.  
 phone: +1-810-220-4360 fax: +1-810-220-4300  
 E-mail: [Sales.NM-US@nikon.com](mailto:Sales.NM-US@nikon.com)  
<http://www.nikonmetrology.com/en-us>

#### NIKON METROLOGY - MÉXICO

MEXICO phone: +52-442-688-5067  
 E-mail: [Sales.NM-MX@nikon.com](mailto:Sales.NM-MX@nikon.com)

#### NIKON INSTRUMENTS (SHANGHAI) CO., LTD.

CHINA (Shanghai branch) phone: +86-21-6841-2050 fax: +86-21-6841-2060  
 (Beijing branch) phone: +86-10-5831-2028 fax: +86-10-5831-2026  
 (Guangzhou branch) phone: +86-20-3882-0551 fax: +86-20-3882-0580

#### NIKON INSTRUMENTS KOREA CO., LTD.

KOREA phone: +82-2-2186-8400 fax: +82-2-555-4415

#### NIKON SINGAPORE PTE. LTD.

SINGAPORE phone: +65-6559-3651 fax: +65-6559-3668  
 E-mail: [NSG.Industrial-sales@nikon.com](mailto:NSG.Industrial-sales@nikon.com)

#### PT. NIKON INDONESIA

INDONESIA phone: +62-267-864-3949 fax: +62-267-864-3950  
 E-mail: [PTN.Instruments@nikon.com](mailto:PTN.Instruments@nikon.com)  
**NIKON SALES (THAILAND) CO., LTD.**  
 THAILAND phone: +66-2633-5100 fax: 66-2633-5191